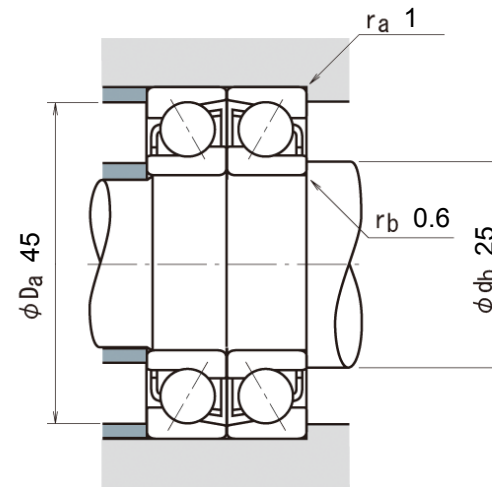
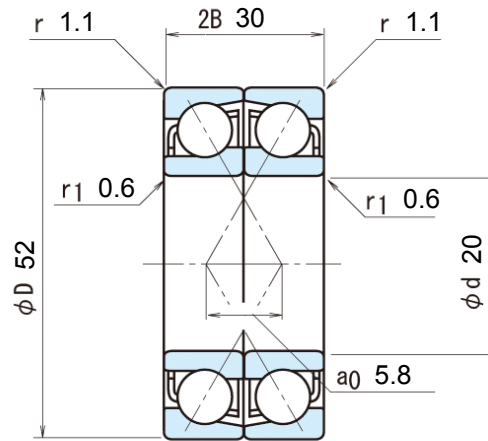


Boundary Dimensions (mm)					Basic Load Ratings (kN)		Limiting Speeds (min ⁻¹)		Bearing Numbers	NSKHPS
<i>d</i>	<i>D</i>	<i>2B</i>	<i>r</i> min.	<i>r1</i> min.	<i>C_r</i>	<i>C_{0r}</i>	Grease	Oil		
20	52	30	1.1	0.6	30.5	20.8	8000	11000	7304AWDF	



Factor	Mass (kg) approx.
f_0	approx.
-	0.292